

ENERGIZER CR2450

Lithium Coin



Specifications

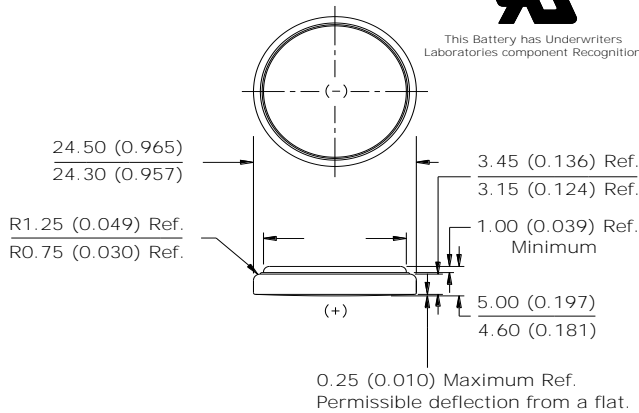
Classification: "Lithium Coin"
Chemical System: Lithium / Manganese Dioxide (Li/MnO₂)
Designation: ANSI / NEDA-5029LC, IEC-CR2450
Nominal Voltage: 3.0 Volts
Typical Capacity: 620 mAh (to 2.0 volts)
 (Rated at 7.5K ohms at 21°C)
Typical Weight: 6.8 grams (0.22 oz.)
Typical Volume: 2.4 cubic centimeters (0.14 cubic inch)
Max Rev Charge: 1 microampere
Energy Density: 183 milliwatt hr/g, 647 milliwatt hr/cc
Typical Li Content: 0.47 grams (0.017 oz.)
UL Recognized: MH29980
Operating Temp: -30C to 60C
Self Discharge: ~1% / year

Industry Standard Dimensions

mm (inches)



This Battery has Underwriters Laboratories component Recognition



Safety:



(1) KEEP OUT OF REACH OF CHILDREN. Swallowing may lead to serious injury or death in as little as 2 hours due to chemical burns and potential perforation of the esophagus. **Immediately see doctor; have doctor phone (202) 625-3333.**

(2) Battery compartment design. To prevent children from removing batteries, battery compartments should be designed with one of the following methods: a) a tool such as screwdriver or coin is required to open battery compartment or b) the battery compartment door/cover requires the application of a minimum of two independent and simultaneous movements of the securing mechanism to open by hand. Screws should remain captive with the battery door or cover.

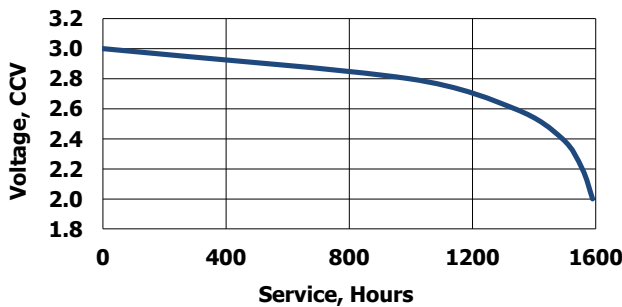
Simulated Application test

Typical Performance at 21°C (70°F)

Schedule:	Typical Drains: at 2.9V (mA)	Load (ohms)	Cutoff 2.0V (hours)
Continuous	0.39	7,500	1,590

Typical Discharge Characteristics

Load: 7.5K ohms - Continuous
 Typical Drain @ 2.9V: 0.39 mA

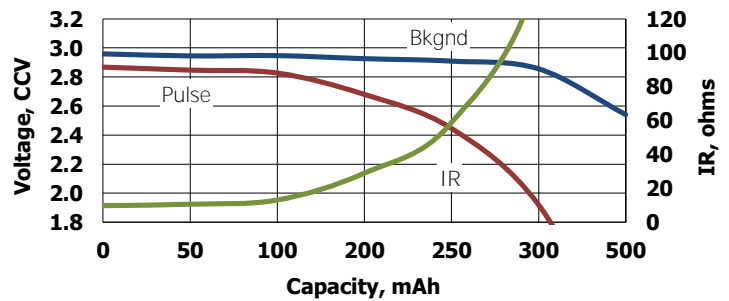


Internal Resistance Characteristics

Pulse Test at 21°C (70°F)

Bkgnd Drain: Continuous
 7.5K ohms
 0.39 mA @2.9V

Pulse Drain: 2 seconds X 12 times/day
 300 ohms
 9.0 mA @2.7V



Important Notice

This datasheet contains typical information specific to products manufactured at the time of its publication.
 ©Energizer Holdings, Inc. - Contents herein do not constitute a warranty.